

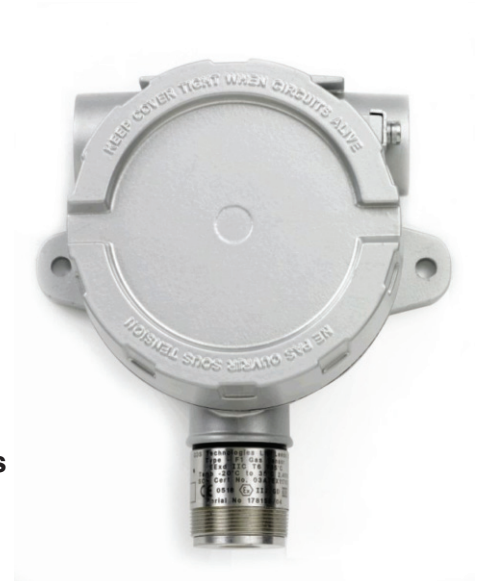
# GfG XDI-F1

## Hazardous Area Gas Detector



Remote Gas Detection offering local control and display

- Explosion proof
- Rugged and reliable
- Flexible output options
- Wide range of gas types / sensors
- Addressable or stand alone
- Hyper terminal communications / RS232 - live data and set up with 232 adapter
- Plug and play
- One man calibration
- Optional 2 alarm relays plus fault relay for local control functions
- Full data logging with GfG Flexigas alarm panel



The XDI Gas Sensor is capable of utilising a wide range of sensor cell types offering an unmatched number of configurations allowing for a simple stand alone 4~20mA transmitter or a CAN bus address system enabling networking of up to 64 process sensors with a local diagnostics port which allows interrogation using a PC, network sensors may also provide individual independent 4~20mA outputs.

A sensor network when connected to a GfG Flexigas alarm panel may be addressed and checked for alarm conditions and general sensor status providing a wide range of options for controls and indications.

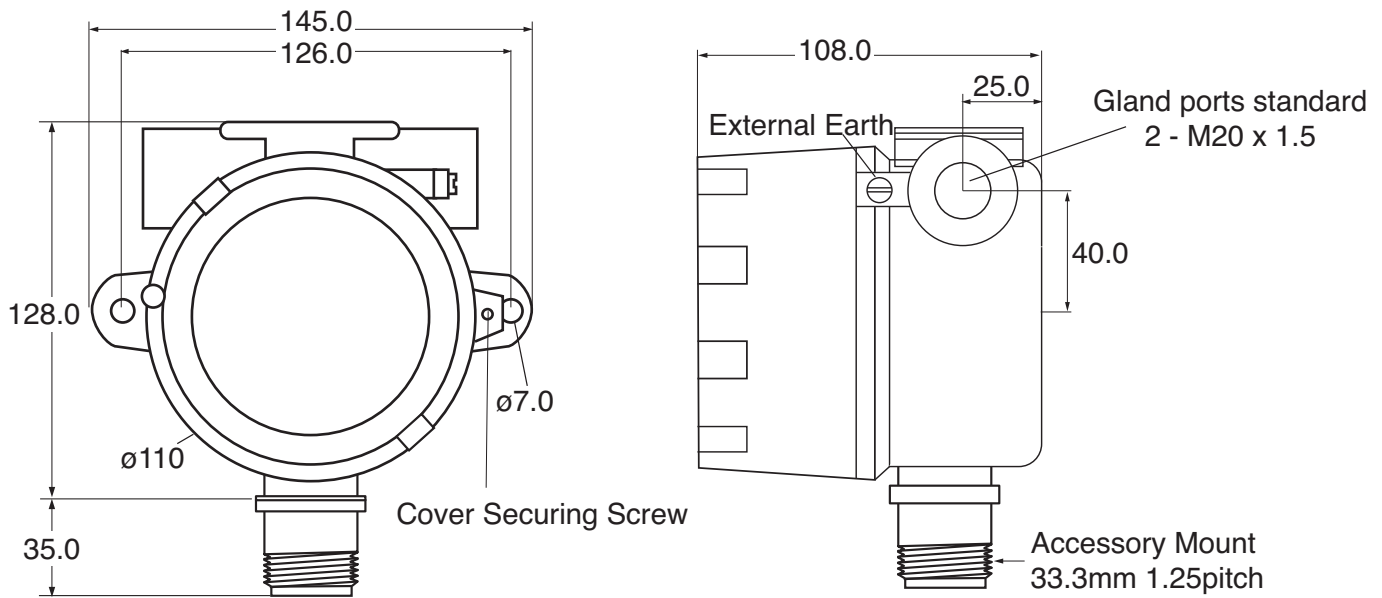
### Technical Data

<b>Classification</b>	<ul style="list-style-type: none"><li>• Housing Flameproof</li><li>• Exd IIC T6</li><li>• II2GD</li><li>• Cert No FTZU-06ATEX0296X</li></ul>	<ul style="list-style-type: none"><li>• F1 sensor - flameproof</li><li>• Exd IIC T6</li><li>• II2GD</li><li>• Cert No SIRA-03ATEX1176X</li></ul>
<b>Power Supply</b>	<ul style="list-style-type: none"><li>• 15 to 30vDC</li></ul>	<ul style="list-style-type: none"><li>• Cert No SIR 06.0016X</li></ul>
<b>Outputs</b>	<ul style="list-style-type: none"><li>• 3 wire (4~20mA) 4 wire (Addressable)</li><li>• Optional relays - Low alarm S.P.C.O 0.5A @30vDC</li><li>High alarm S.P.C.O</li><li>Fault alarm S.P.C.O</li><li>Inhibit option during servicing</li></ul>	
<b>Housing material</b>	<ul style="list-style-type: none"><li>• Copper free aluminium alloy, optional stainless steel</li></ul>	
<b>Finish</b>	<ul style="list-style-type: none"><li>• Chemical resistant epoxy paint</li><li>• Optional - Marine grade finish</li></ul>	
<b>Ingress Protection</b>	<ul style="list-style-type: none"><li>• IP63 + weather shield IP65</li></ul>	
<b>Cable Entry</b>	<ul style="list-style-type: none"><li>• 2 x M20 - 1.5 pitch - alternatives 25mm - ¼ NPT</li></ul>	
<b>Weight</b>	<ul style="list-style-type: none"><li>• 1.6kg</li></ul>	
<b>Temperature</b>	<ul style="list-style-type: none"><li>• -10°C to +50°C</li></ul>	
<b>Humidity</b>	<ul style="list-style-type: none"><li>• 0 to 99% RH non-condensing</li></ul>	

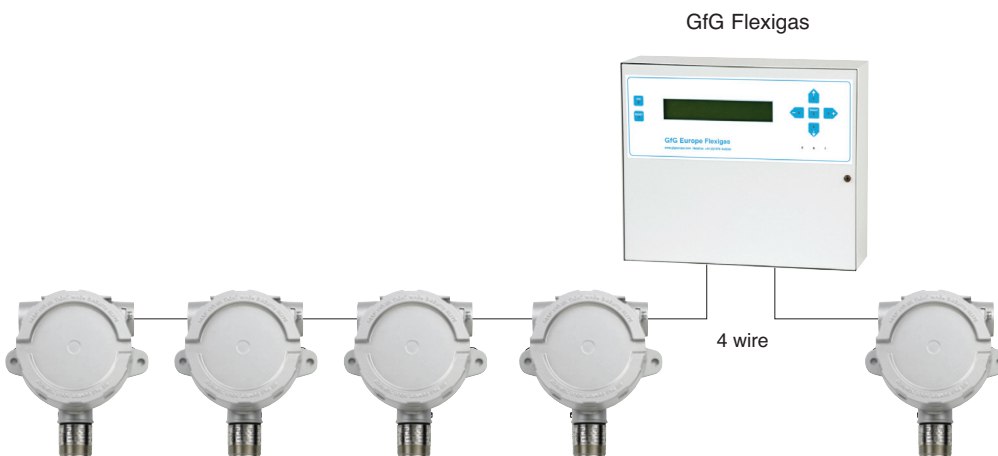
**GfG Europe Ltd**

**Worldwide Supplier of Gas Detection Solutions**

## Technical Data



## System Configuration



## Sensor Detail

**Sensor Type** Infra Red, Electrochemical, Catalytic, Semiconductor

**Gas Type** Flammable gases - LEL / %Vol  
Toxic gases - for full listing see [www.gfgeurope.com](http://www.gfgeurope.com)  
Range - see [www.gfgeurope.com](http://www.gfgeurope.com)

### Accessories

- 003-010 Collector Cone & Universal Fitting
- 003-020 Universal Fitting,  
(Test Gas Applicator/ Spray Deflector)
- 003-031 Filter - Particulate
- 008-311 Flow Adaptor
- 003-090 Duct Mount Kit
- 003-035 Water Shield

This document is non contractual and the equipment specification and detail may be modified at any time without prior notice.

### GfG Europe Ltd

710 Avenue West • Skyline 120 • Great Notley • Essex • CM77 7AA • UK

Tel: +44 (0)1376 342236 Fax: +44 (0)1376 341741

[info@gfgeurope.com](mailto:info@gfgeurope.com) • [www.gfgeurope.com](http://www.gfgeurope.com)