



- Automatic interference object fade-out
- Measurement range 0.125 m to 40 m
- Sensors for Ex-zone 1
- Echo analysis via PC
- Option: Modbus 485/Profibus

Sensors



NivuMaster L-2

NivuMaster L-2

Non-contact ultrasonic level measurement.

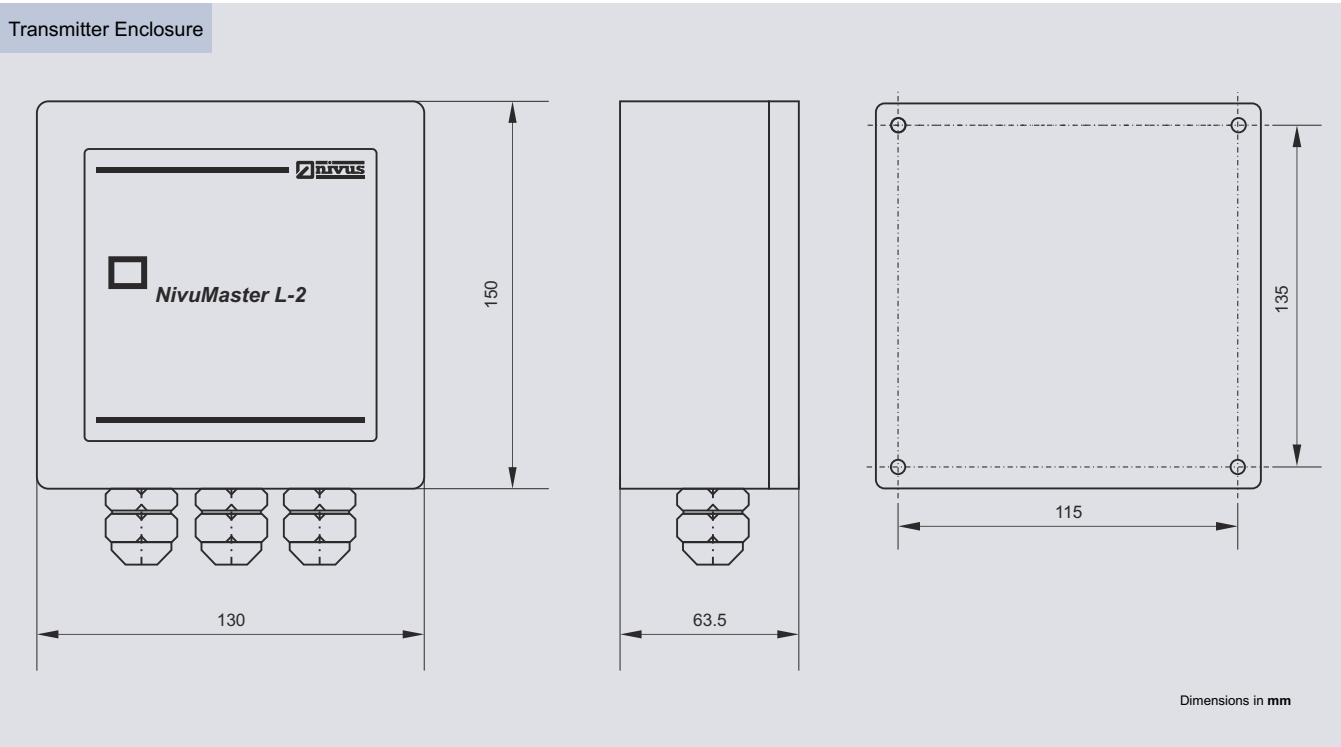
The NivuMaster L-2 is compatible with the P-range ultrasonic level sensors. With a working range from 0.125 m through to 40 m almost all eventualities are covered. All sensors are available with ATEX Zone 1 approval.

The L-2 standard version comes without keypad and display, being programmed using the accompanying PC software. The NivuMaster L-2 is available also with an battery powered integrated data logger. Data are going to be saved in customised cycles. The battery life will increase depending on the settings.

Use the interface to read out saved data and save as .csv file.

The NivuMaster L-2 gives you the technology you need, but no complexity. The DATEM software that powers NivuMaster is the most advanced echo processing system in the world, so you can be confident that you have the best possible ultrasonic level solution for solids or liquids. An accompanying PC software includes full programming capability together with diagnostics and echo analysis functions.

Specifications



Dimensions in mm

Transmitter

NivuMaster L-2 device types	<ul style="list-style-type: none"> without keypad and display with keypad and display without keypad and display with data logging function without keypad and display with Modbus or Profibus 	<ul style="list-style-type: none"> without keypad and display with Modbus or Profibus: digital output: RS232 interface full duplex RS485 interface relay outputs: 2 SPDT (single pole double throw) 10 mA/12 V DC to 2 A/240 V AC at ohmic load
Power supply	115 / 230 V AC $\pm 5\%$, 50 / 60Hz, 10 - 28 V DC	Temperature range electronics: -20 °C to +50 °C
Fuses	50 mA at 200 - 230 V AC 100 mA at 90 - 120 V AC	Measurement uncertainty 0.25 % of measurement range or 6 mm (whichever is greater)
Power consumption at continuous operation	typically 5 W, max. 10 W	Resolution 0.1 % of measurement range or 2 mm (whichever is greater)
Echo processing	DATEM (Digital Adaptive Tracking of Echo Movement) software, passcode protected, non-volatile RAM	Measurement range 0.125 m to 40 m depending on sensor
Inputs	<ul style="list-style-type: none"> 1 ultrasonic sensor connected at data logging function additionally 1 digital event input 	Enclosure 130 x 150 x 63.5 mm (w x h x d)
Outputs	<p><u>without keypad and display,</u> <u>with keypad and display:</u></p> <ul style="list-style-type: none"> digital output: RS232 interface full duplex 0/4 to 20 mA galvanically isolated output (to 150 V), load 500 Ohm (adjustable), resolution 0.1 % relay outputs: 2 SPDT (single pole double throw) 10 mA/12 V DC to 2 A/240 V AC at ohmic load <p><u>without keypad and display with data logging function:</u></p> <ul style="list-style-type: none"> digital output: RS232 interface full duplex 	Protection IP66
		Material ABS base, with Polycarbonate lid, flammability rating UL94HB
		Cable entries 3 x M20 cable glands for cable $\varnothing 6 - 12$ mm
		Weight approx. 1 kg
Sensors		
Type	P-Series: P-03, P-06, P-S6, P-10, P-15, P-25 and P-40	
Accessories		
Interface cable (included)	for NM-Series and NivuCompact	
Programming software (included)	each PC/Laptop requires a separate licence	

You can find more information in the instruction manual or on www.nivus.com