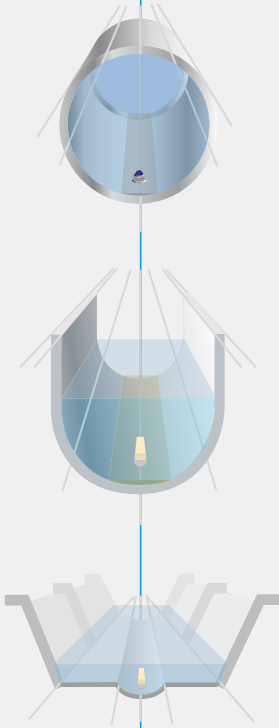


- Redundant level measurement
- Latest intelligent Doppler technology
- Sensor-integrated high accurate Hastelloy® pressure diaphragm
- Parameter and measurement data storage on plug-in compact flash card (up to 128 MB)
- Long battery lifetimes thanks to optimised energy-saving process flow
- Various peripheral interfaces
- Measurement without modification of cross-sectional areas in existing profiles
- Easy sensor installation using variable fastening system

PCM F



## PCM F

The PCM F including its accompanying sensors serves as temporary flow measurement for slight to heavily polluted media in part filled and full pipes, channels and flumes.

The large back-lit display enables very comfortable transmitter operation. Parameters can be set very easy due to intuitive dialog mode menus.

In addition to measuring flow using the newly developed intelligent Doppler sensor (which directly evaluates the flow velocity), it is possible to combine the

PCM F with various sensors for level measurement purposes.

Thanks to interfaces, the PCM F can be used as central unit for a variety of peripheral devices. Measured and logged data is saved on plug-in CF memory card.

Specifications subject to change.  
 H1.1\_eng\PCM\_F\pcf-db-01-en.cdr / Rev. 01 - 15.04.2010

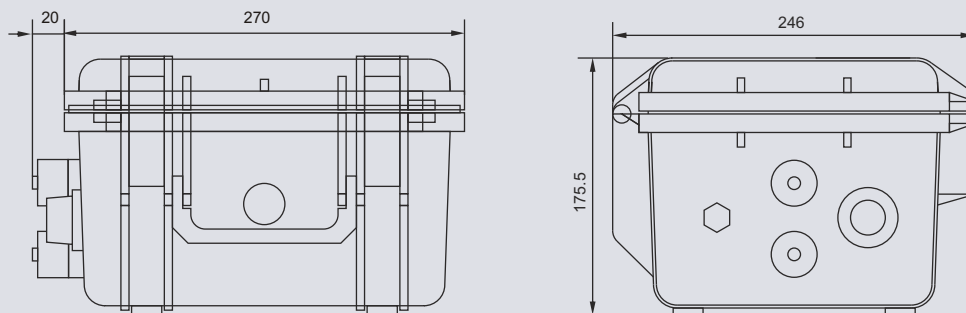
**Instrumentation For Water Industry**

NIVUS GmbH • Im Taele 2 • 75031 Eppingen, Germany • Internet: [www.nivus.com](http://www.nivus.com)  
 Phone: +49 (0)7262 9191-0 • Fax: +49 (0)7262 9191-999 • E-mail: [info@nivus.com](mailto:info@nivus.com)



## Technical Information

### Enclosure dimensions



Dimensions in mm

### Transmitter

Power supply	<ul style="list-style-type: none"> <li>rechargeable battery: 12 V / 12 Ah, lead gel</li> <li>battery box: for 12 standard batteries 1,5 V (Type LR20)</li> <li>power unit: 100 - 240 V AC; 50/60 Hz</li> </ul>	<ul style="list-style-type: none"> <li>1 x Doppler sensor Type KDA for flow velocity and level measurement</li> <li>1 x multifunctional socket for digital and analog inputs and outputs</li> <li>1 x connection socket for combined mains adapter and battery charger</li> </ul>
Enclosure	<ul style="list-style-type: none"> <li>material: Polypropylene, impact resistant</li> <li>weight: approx. 2.0 kg (without sensor and battery)</li> <li>protection: IP67 if cover is closed and locked</li> </ul>	Inputs via multifunctional socket
Operation temperature	-20 °C to +50 °C	<ul style="list-style-type: none"> <li>1 x active digital input, supply voltage 3.3 V DC</li> <li>1 x analog input, 0/4 – 20 mA (passive)</li> </ul>
Storage temperature	-30 °C to +70 °C	Outputs via multifunctional socket
Max. humidity	90 %, non-condensing	<ul style="list-style-type: none"> <li>1 x relay (SPDT) switching capacity 250 V AC / 30 V DC, 5A switching frequency 5 Hz</li> <li>1 x voltage output 0 – 10 V</li> </ul>
Display	back-lit graphic display, 128 x 128 Pixel	Storage cycle
Operation	18 keys, multilingual dialog mode (German, English, French, Italian...)	<ul style="list-style-type: none"> <li>1 to 60 minutes, cyclical, depending on events or continuous operation</li> </ul>
Plug sockets (IP68)	<ul style="list-style-type: none"> <li>1 x 4 – 20 mA for external level (2-wire probe, active) or</li> <li>1 x air-ultrasonic active sensor Type OCL for level measurement</li> </ul>	Data memory
		<ul style="list-style-type: none"> <li>external, on plug-in compact flash card up to 128 MB</li> <li>internal 8 MB RAM</li> </ul>
		Data transmission
		via plug-in compact flash card
		Evaluation software inclusive
		Type: NivuDat for Windows NT / 2000 / XP for data readout, data evaluation, creation of hydrographs, average values, hour, day and month values etc.

## Accessories

Rechargeable lead battery	with cable and connection plug, 12 V / 12 Ah
Mains adapter/batt. charger	combi unit for lead gel battery charging or direct mains-powered operation 100 - 240 V AC / 50 - 60 Hz; IP 40
Rechargeable lead battery	for use in external battery box 12 V / 26 Ah
External battery box	for connection to PCM F via charger socket
HF battery charger	for rechargeable lead batteries 12 V / 26 Ah mains voltage 230 V, charging voltage 12 V, charging current 6 A
Battery holder	for 12 standard batteries 1.5 V (Type LR20, batteries are not included)
Connection cable	for connection of peripheral units there are numerous pre-configured connection cables available
Memory card	Type: compact flash card; capacity: 128 MB
Readout adapter	adapter for PCMCIA interfaces, preferably for data readout via Laptop or Notebook
Card reader	with USB interface for connection to PC
Connector-Box	for simultaneous connection of more than one input or output to PCM F multifunctional socket
Suspension bracket	with eyelet for fastening of PCM F on ladders or similar